

HW-63CBE Circuit-Breakers for equipment (CBE)



63CBE 1P 30A-03-M

SPECIFICATIONS

Single Pole Circuit Breakers

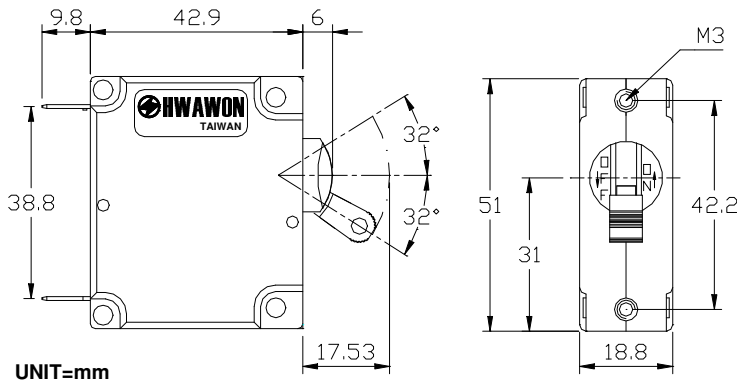
Rating : 5~30A ; 125/250VAC 50VDC

Interrupt Capacity : 2,000A AT 125/250VAC

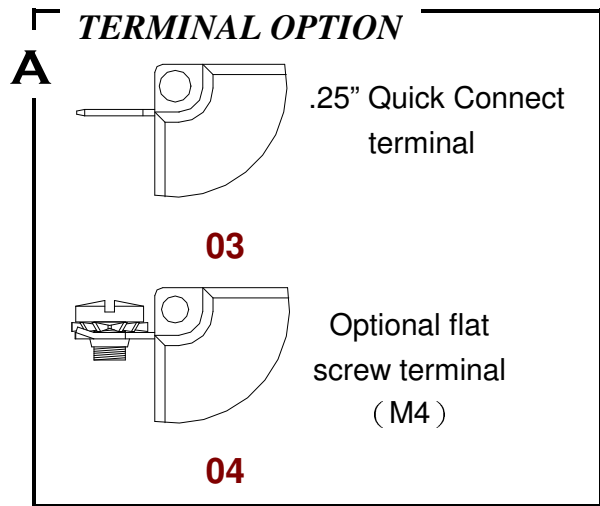
Overload Capacity : 6 × RATING

Withstand Voltage : 1,500 VAC/MIN

EXTERNAL DIMENSIONS



UNIT=mm

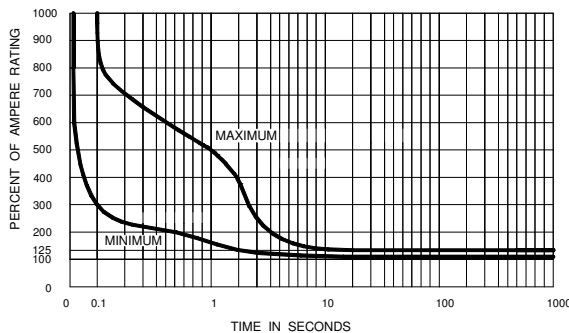


※63CBE TYPE= 1P + Rating +A +B

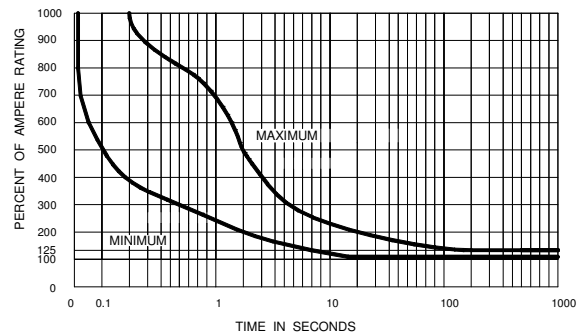
DELAY OPTION

B

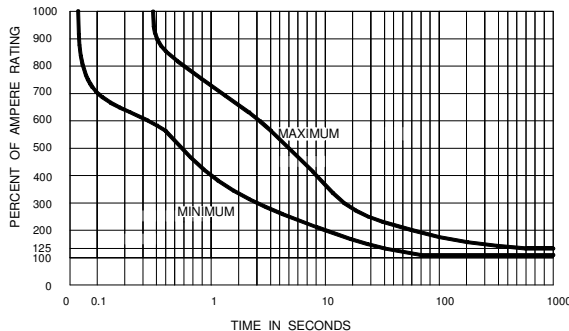
H.



M.



L.



OVERLOAD PERCENTAGE			
Delay	H.	M.	L.
100%	No trip	No trip	No trip
125%	2.0sec~20sec	8.5sec~200sec	40 sec~700sec
200%	0.6sec~4.0sec	2.0sec~20sec	10sec~80sec
300%	0.1sec~2.6sec	0.6 sec~5.5sec	3.0 sec~18sec