

# HWAWON ELECTRIC INDUSTRIAL CO., LTD

HW-1350

## Auto , Manual&Modified Reset Circuit Breaker

### SPECIFICATIONS

#### Single Pole Thermal Type Breakers

Rating : 6~50A ; 14 VDC ; 28VDC

Operating Temperature : -10°F(-23°C) to 150°F(65°C)

Storage Temperature : -20°F(-29°C) to 200°F(93°C)

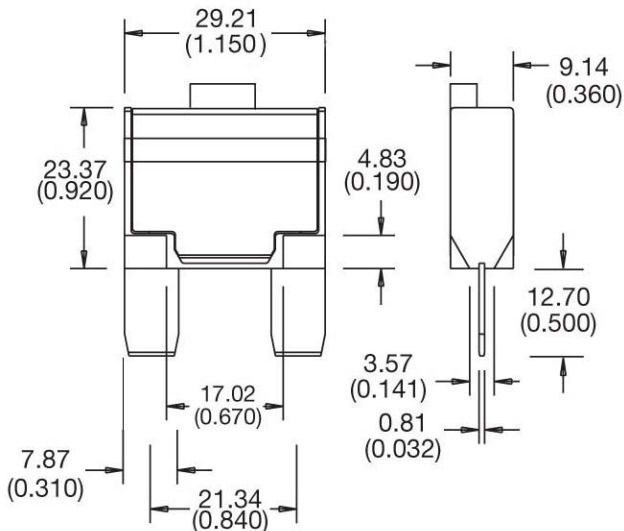
Materials : Thermoplastic ,UL rated 94V0

Applications : Battery chargers, trucks, buses, RV's,  
trolling motors, etc.

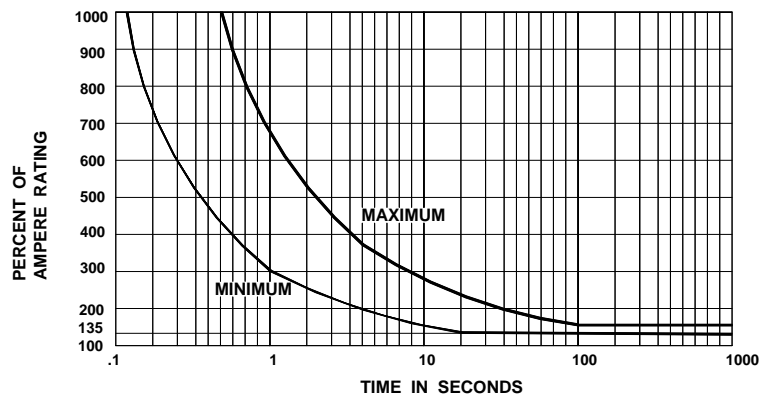
The test complies with SAE J553 ( TYPE I II III ) ,  
SAE J1171 (ignition protected)



### DIMENSIONS - (mm)



### CALIBRATION



Cover: Metal

T1 : Auto Reset  
14;28 VDC 6A-50A

T2 : Modified Reset  
14;28VDC 6A-50A

T3 : Maunal Reset  
28VDC 6A-50A